



Sink - IMO

Lavatory spout, deck-mounted without drain - polished chrome

Article number: 13 716 670-00 0010



- 6-1/2" Projection
- Rigid spout
- Rectangular aerated stream
- Total height 8-5/8"
- Height to aerator/spout outlet 6-3/4"
- 1-3/8" hole diameter
- Flange 2-3/8" x 2-3/8"
- 1/2" connection
- Water flow rate limited to max. 1.2 gpm
- lead-free

Codes & Standards

- NSF/ANSI 372
- California Energy Commission (CEC)
- ASME A112.18.1/CSA B125.1
- NSF/ANSI/CAN 61

- inlet: 2x pressure hose with 1/2" compression fitting
- For Touchfree control please order eSet Touchfree WITH or WITHOUT temperature adjustment



polished chrome

Discontinued items available to order until 31.12.9999

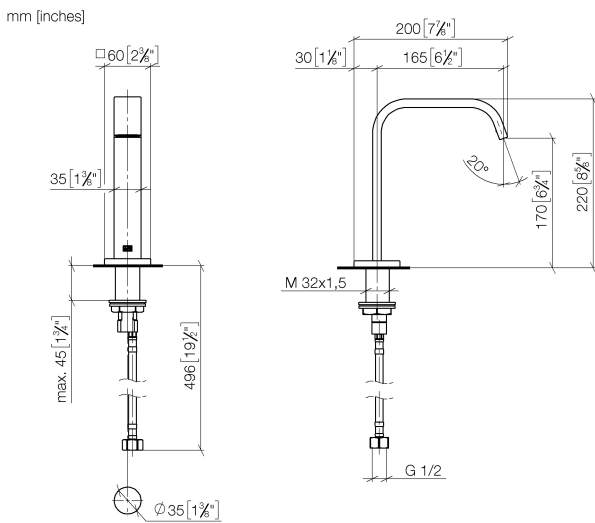


Sink - IMO

Lavatory spout, deck-mounted without drain - polished chrome

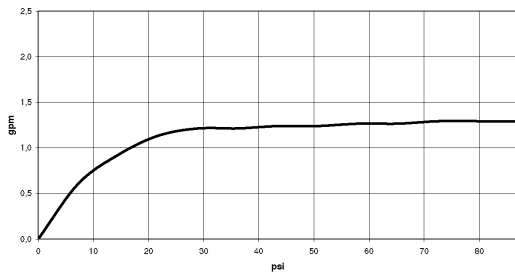
Article number: 13 716 670-00 0010

Dimensional drawing



All dimensions in mm / inch = mm x 0,0394

Flow rate chart





Sink - IMO

Lavatory spout, deck-mounted without drain - polished chrome

Article number: 13 716 670-00 0010

Other surface finishes

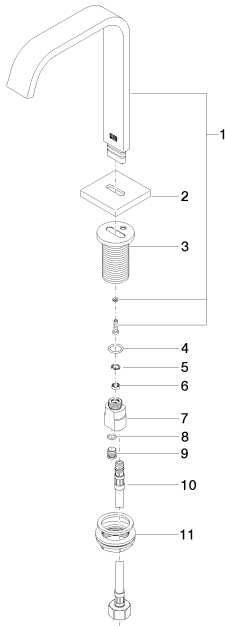


chrome matte

13 716 670-93 0010

More custom finish options are available via special production (xTra Service). Please see our finish matrix for availability and pricing or contact a Dornbracht representative.

Spare parts list



Number	Item Number	Designation	Number of units
1	90 28 22 267 01-00	spout	1
2	09 27 78 034-00	rosette	1
3	09 11 10 054 10 90	connection	1
4	09 14 10 130 90	seal	1
5	09 16 01 016 90	ring	1
6	09 23 01 033 90	flow reducer	1
7	09 11 10 055 10 90	connection	1
8	09 14 10 060 90	seal	1
9	09 31 20 065 90	plug	1
10	04 30 04 019 00 90	hose	1
11	04 23 10 009 01 90	fixing set	1